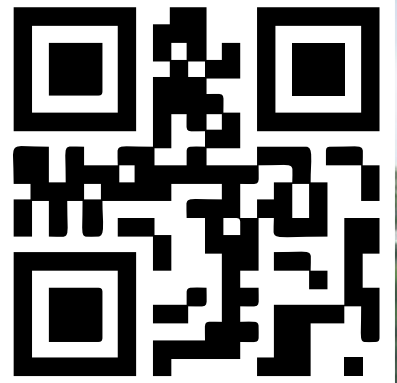


TATSUO

WHEEL CRAWLER EXCAVATOR

JP80-9

SCAN DISINI



<https://www.tatsuo.co.id>



HEAD OFFICE

Address : Margomulyo Indah Blok G4
Surabaya
Email : sales@azarindo.id
Website : www.azarindo.id

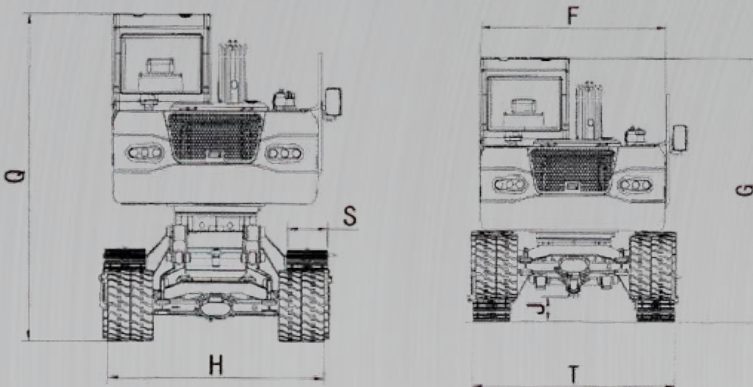
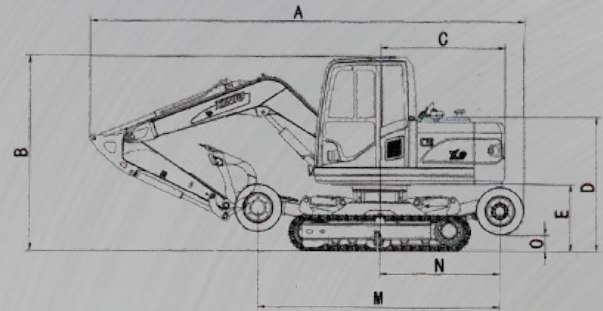
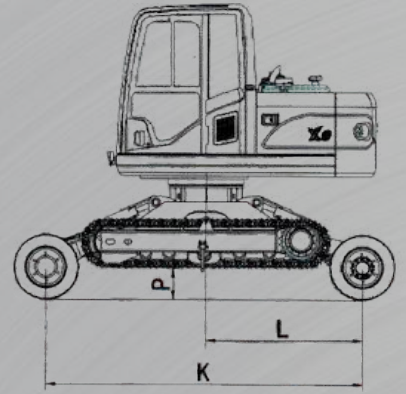
BRANCH OFFICE

| BALI | JAKARTA | LAMPUNG | SAMARINDA | MAKASSAR

| Hotline : **0812 2000 901**

MAIN SPECIFICATION

Engine	Model No.	Yanmar 4TNV98-ZCVLGC
	Displacement	3319 L
	Engine Power/Rpm	44.4 kW/2200 rpm
	Max. Torque	223.3~243.5 N.m/ 1600±100 rpm
Speed	Wheel traveling speed	25 km/h
	Track travelling speed	2.3 km/h
	Swing Speed(rpm)	9 rpm
	Max. Grade Ability	30°
	Pump Type	Variable Capacity Pump
	Pressure	25 Mpa
	Displacement	132 L/min
	Capacity of Hydraulic Tank	175 L
	Capacity of Fuel Tank	150 L
	Engine Oil Capacity	12 L
Hydraulic and liquid capacity	Hydraulic System	Rexroth
	Pump	X1 Variable Capacity Pump
	Pressure	25 Mpa
	Displacement	132 L/min
	Capacity of Hydraulic Tank	175 L
	Capacity of Fuel Tank	150 L
	Engine Oil Capacity	12 L



MAIN SPECIFICATION

Total Weight	9600 kg
Bucket Capacity	0.32 m ²
A Total Length (Boom 3.6m+Bucket arm 2m)	6570 mm
B Total Height(Boom 3.6m+Bucket arm 2m)	2982 mm
C Counter Weight Turning Radius	1836 mm
D Engine Hood Height	2104 mm
E Counter Weight Ground Clearance	1120 mm
F Upper Structure Width	2000 mm
G Cabin Height (Wheels Up)	2982 mm
H Tire Width	2120 mm
J Ground Clearance	270 mm
K Wheel Up Wheel Gauge	3400 mm
L Distance of Swing Center to Rear Wheel (Wheels Up)	1682 mm
M Wheel Down Wheel Gauge	3560 mm
N Distance of Swing Center to Rear Wheel (Wheels Down)	1767 mm
O Rear Wheel Ground Clearance (Wheel Up)	300 mm
P Track Ground Clearance (Wheel Down)	330 mm
Q Total Height (Wheels Down)	3190 mm
R Track Wheel Track	2050 mm
S Track Width	450 mm
T Track Outer Width	2160 mm

MAIN DIMENSIONS

(Boom 3.6m + Bucket Arm 2m)

A Max. Digging Radius	6880 mm
Max. Digging Radius (On Ground)	6735 mm
B Max. Digging Depth	3772 mm
C Max. Digging Height	7130 mm
D Max. Dumping Height	5220 mm
E Min. Turning Radius	2617 mm
F Max. Vertical Digging Depth	3425 mm
Bucket Digging Force (KN)	56 KN
Bucket Arm Digging Force (KN)	36 KN

